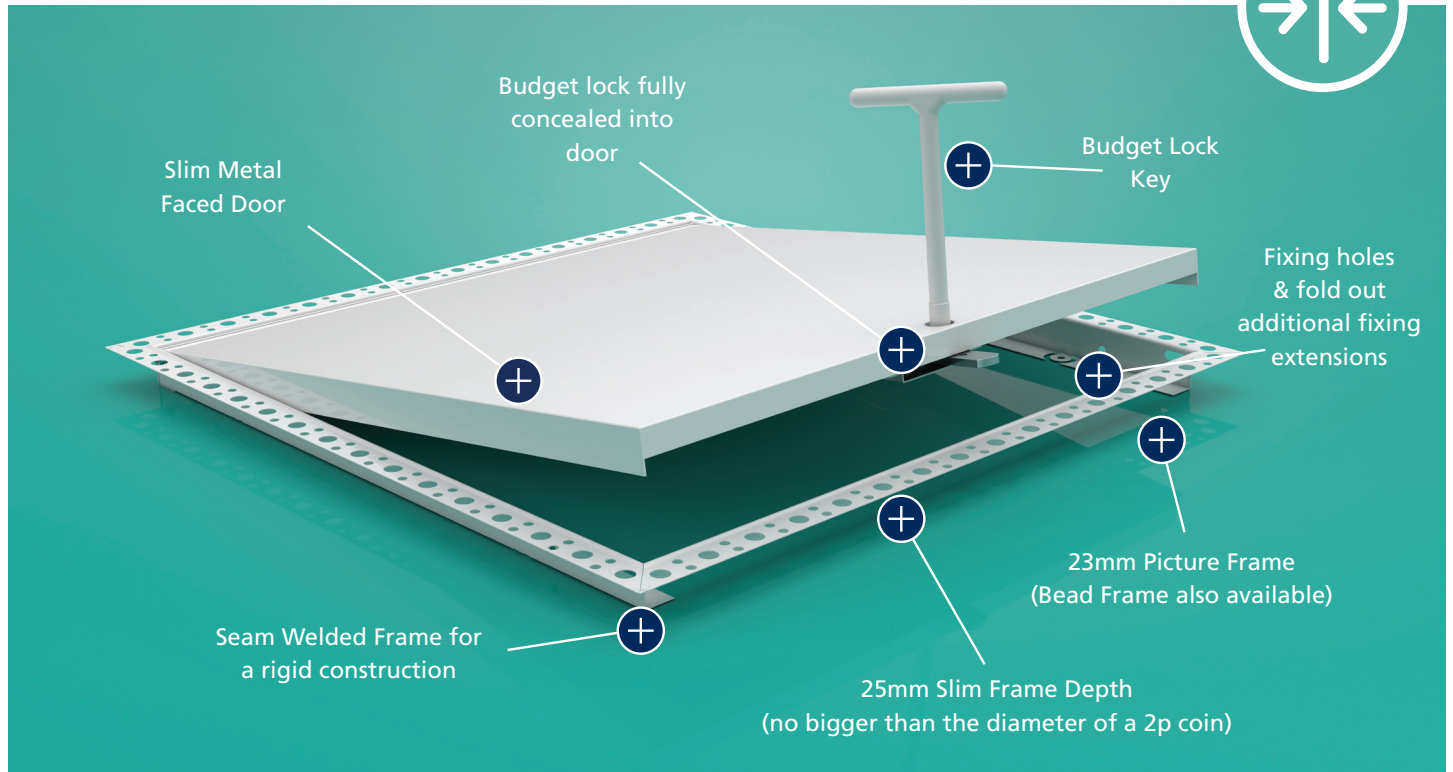


SLIM METAL FACED BEAD FRAME CTMB/SLIM



Ceildoor's Slim range of Access Panels boasts a slim 25mm frame with no compromise on quality.

Its minimal design is made of full polyester powder coated zintec which makes the Access Panels durable and resistant to weathering and moisture. Its lean frame also makes it easier to fit in tight wall or ceiling environments.

Slim Design
A trim 25mm frame

Maximum Protection
Full Polyester Powder Coating

Strong Profile
Made from zintec steel

Maximum Accessibility
Full accessible door opening

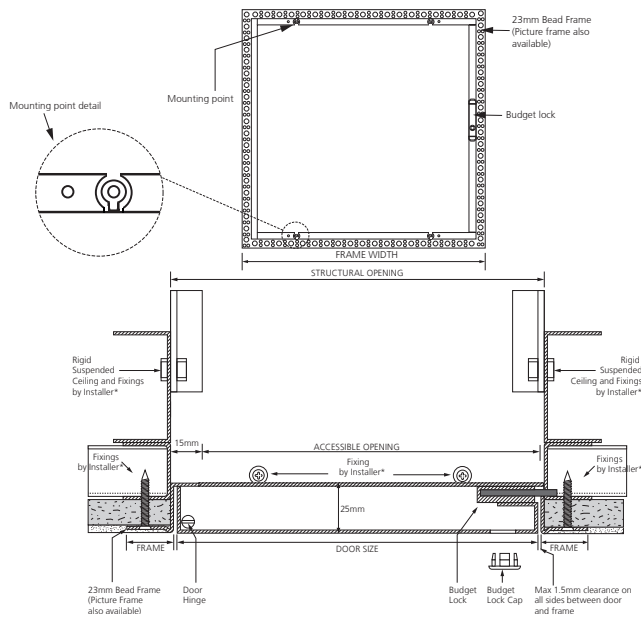
Composition

- Frame** ▶ 1mm zintec welded construction
- Door** ▶ 1mm zintec folded all sides for rigid door shell
- Coating** ▶ Fully Polyester Powder Coated RAL9010 Matt White
- Locks** ▶ Budget Lock
- Depth** ▶ Frame Depth: 25mm
Door Depth: 22mm

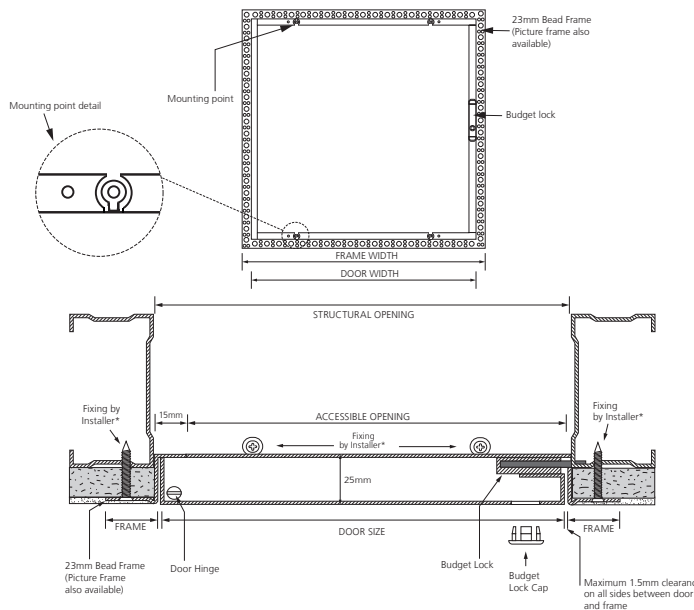
Installer must follow guidelines set by the wall or ceiling manufacturer to ensure the correct properties are achieved for the environment. All tests have been conducted by independent UKAS accredited testing centres, further details available upon request.

SLIM METAL FACED BEAD FRAME CTMB/SLIM

Ceiling Environment



Wall Environment



Fitting Guidelines

To calculate a sufficient opening for the frame, we recommend adding 10mm to the door size supplied. Alternatively when ordering an Access Panel to suit an opening, take away 10mm from your opening dimension to calculate a door size.



Frame should be screw fixed into the wall or ceiling opening using fixing holes located on the sides of the frame.

It is recommended that sufficient independent bracing and support is obtained to ensure safe opening and closing of the access hatch within its environment.

Please Note:

Drawing not to scale, reference purposes only. Components shown with an asterisk (*) are suggestions only. Always refer to guidance provided by your wall or ceiling manufacturer.

Legend

-  Plaster skim
-  Plasterboard

Standard Shape and Sizes

Below is our range of sizes we manufacture as standard.

Door Size (mm)	Door Type	Structural Opening (mm)	Accessible Opening (mm)
300 x 300	Single	310 x 310	270 x 270
450 x 450	Single	460 x 460	420 x 420
600 x 600	Single	610 x 610	570 x 570
600 x 300	Single	610 x 310	570 x 270
900 x 600	Single	910 x 610	870 x 570
1200 x 600	Single	1210 x 610	1170 x 570

Extra Protection Against Moisture and Corrosion

All Ceildoor metal Access Panels and hatches are fully powder-coated white RAL 9010 in matt polyester paint. Even though the majority of Access Panels in the industry are used internally, Ceildoor ensures all our products are coated in full polyester powder which is normally recommended for general exterior situations, where good weathering resistance is required against high levels of atmospheric moisture or in particularly aggressive atmospheres.

Security and Safety

It is extremely important to close and lock the Access Panel or hatch immediately after use. Failure to do so will affect and impair the performance of the environment where it has been installed in the event of fire.